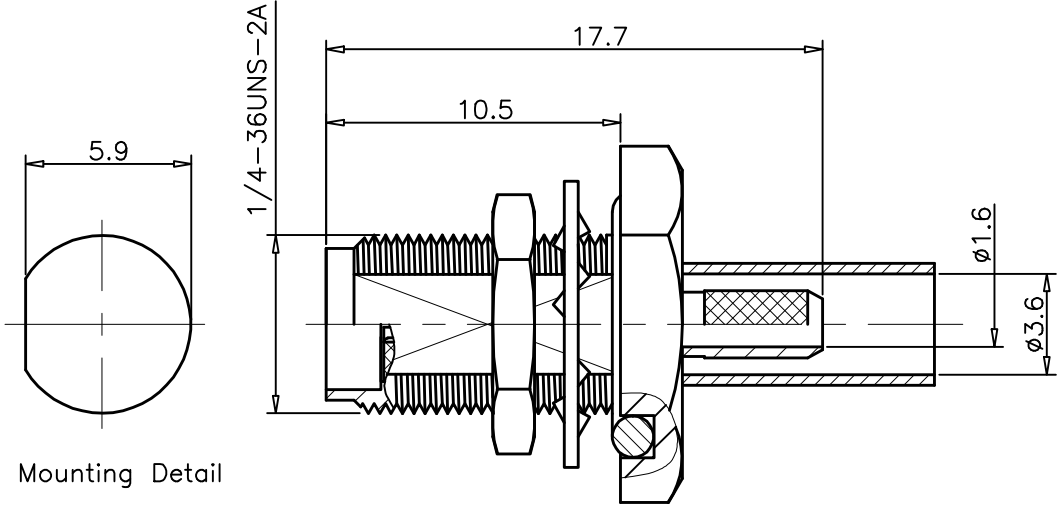


1	2	3	4	
RevNo	Revision note	Date	Signature	Checked
00	Sketch Only	6/12/14	Teresa	Simon



Interface Per: Interface Per: MIL-STD-348, IEC 60169-15  
 Material & Finishing:  
 1. Center conductor: Beryllium Copper, Gold Plating  
 2. Insulators: PTFE  
 3. Spring Washer: Beryllium Copper, Gold Plating  
 4. Body & Other Metal: Brass, Gold Plating

RoHS Compliant.

ALL DIMENSIONS ARE IN MILLIMETERS AND [INCHES]		Title SMA female bulkhead mounted crimp for RG316D cable	
KERUI ELECTRONIC CO;LTD		Drawn by Teresa	Ckd by Simon
<small>THESE DRAWING &amp; SPEC. ARE THE PROPERTY OF KERUI ELECTRONIC CO;LTD AND SHALL NOT BE REPRODUCED, OR COPIED OR USED AS THE BASIS FOR THE MANUFACTURE OR SALE OF APPARATUS OR DEVICES WITHOUT THEIR EXPRESS WRITTEN CONSENT.</small>		Appd by Richard	Date 6/12/2014
<small>UNLESS OTHERWISE NOTED ALL SURFACES FINISHED TO 64/MAX.</small> <small>ALL TOLERANCES ARE:</small> <small>DECIMALS    FRACTIONS    ANGLES</small> <small>x ± 1.0       ±1/64       x' ± 1°</small> <small>x.x ± 0.5                      x'x' ± 0.5°</small> <small>x.xx ± 0.1                                    </small>		Scale 6:1	Sheet 1 of 1
		10 1121 116 02	